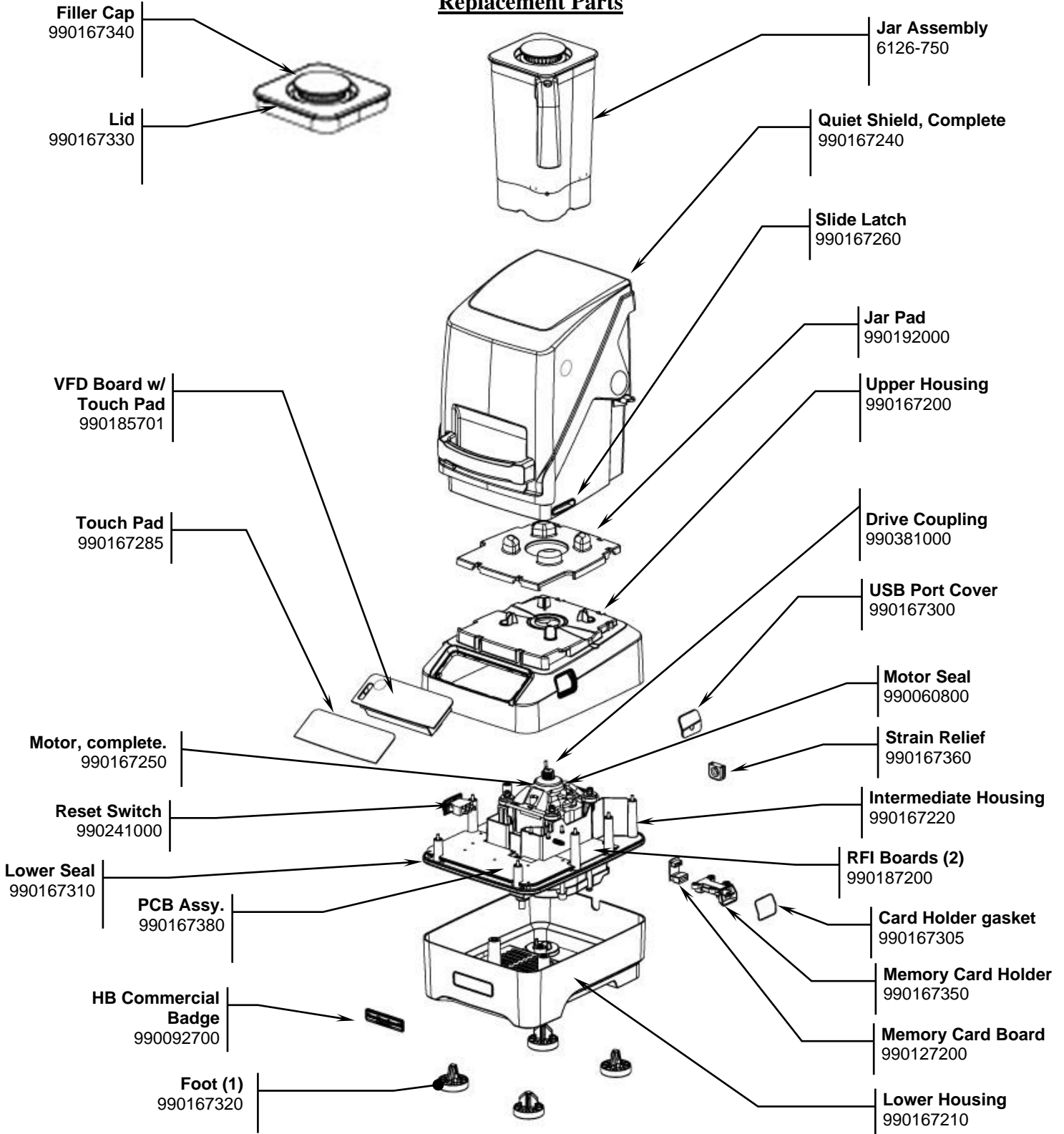


Parts and Accessories Diagram HBH750-CE

PROPRIETARY RIGHTS NOTICE This document and all information contained within it is the property of Hamilton Beach Brands, Inc. (HBB). It is confidential and proprietary and has been provided to you for a limited purpose. It must be returned or destroyed upon request. Disclosure, reproduction or use of this document and any information contained within it, in full or in part, for any purpose is forbidden without the prior written consent of HBB. No photographs may be taken of any article fabricated or assembled from this document without the prior written consent of HBB.

Replacement Parts



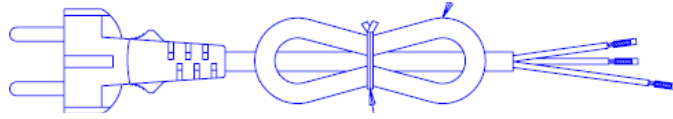
<p>Hamilton Beach 4421 Waterfront Drive Glen Allen, VA 23060</p>	Revision	Change Drive Coupling P/N				Rev. Date:
	Description:					540009401
	Request #:	DOC11872	Page:	1 of 3	Document #:	Rev:

Parts and Accessories Diagram

HBH750-CE

PROPRIETARY RIGHTS NOTICE This document and all information contained within it is the property of Hamilton Beach Brands, Inc. (HBB). It is confidential and proprietary and has been provided to you for a limited purpose. It must be returned or destroyed upon request. Disclosure, reproduction or use of this document and any information contained within it, in full or in part, for any purpose is forbidden without the prior written consent of HBB. No photographs may be taken of any article fabricated or assembled from this document without the prior written consent of HBB.

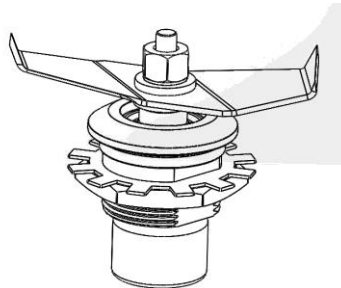
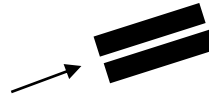
Replacement Parts



Power Cord


990167370

Motor brush set
990167235



Cutter Assembly

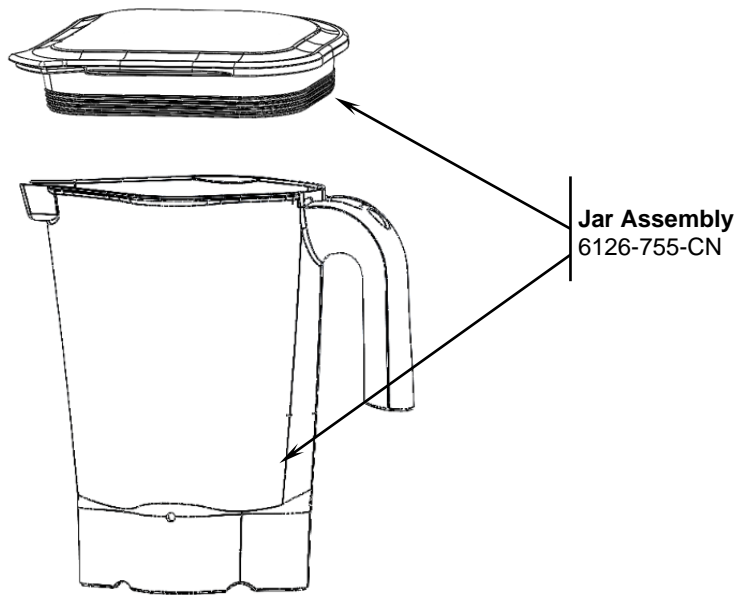
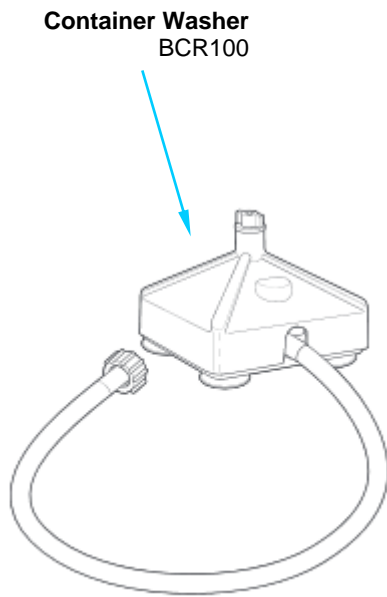
98650


 4421 Waterfront Drive Glen Allen, VA 23060	Revision	Change Drive Coupling P/N				Rev. Date:	
	Description:					05/27/2021	
Request #:	DOC11872	Page:	2 of 3	Document #:	540009401	Rev:	J

Parts and Accessories Diagram HBH750-CE

PROPRIETARY RIGHTS NOTICE This document and all information contained within it is the property of Hamilton Beach Brands, Inc. (HBB). It is confidential and proprietary and has been provided to you for a limited purpose. It must be returned or destroyed upon request. Disclosure, reproduction or use of this document and any information contained within it, in full or in part, for any purpose is forbidden without the prior written consent of HBB. No photographs may be taken of any article fabricated or assembled from this document without the prior written consent of HBB.

Accessories



 4421 Waterfront Drive Glen Allen, VA 23060	Revision	Change Drive Coupling P/N					Rev. Date:	
	Description:						DOC11872	
	Request #:						Rev: J	